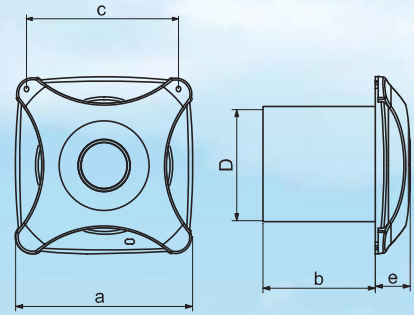


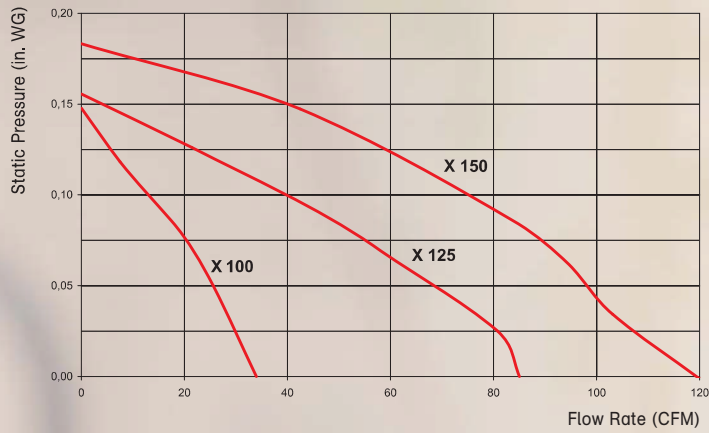
Type	a	b	c	D	e
100 X	5 15/16"	3 3/4"	4 3/4"	3 15/16"	1 3/16"
125 X	7"	4"	5 1/2"	4 15/16"	1 3/16"
150 X	8 1/16"	4 3/16"	6 1/2"	5 7/8"	1 3/16"



www.vents-us.com



Type	RPM	Volts	Max. Watts	Max. Amps	CFM	Sones
100 X	2940	115	13	0,16	34	1,82
125 X	2510	115	16	0,20	85	2,50
150 X	2285	115	32	0,38	120	2,88



Type	RPM	Volts	Max. Watts	Max. Amps	CFM	Sones
100 X1	2940	115	13	0,16	38	1,68
125 X1	2510	115	16	0,20	93	2,37
150 X1	2285	115	32	0,38	132	2,65

