

Description

The NuVent SH Series fan-lights offer exceptionally quiet performance and low energy consumption in a sturdy galvanized steel housing. All S Series models feature an exclusive curved grille design for contemporary style, making it an attractive option for bathroom and general ventilation applications where low noise levels are required.

Features

Grille

- Attractive curved styling with soft rounded profiles.
- Textured, white polymeric.
- Mounts directly to housing with torsion springs.

Housing

- Heavy 22-gauge galvanized steel construction.
- Extended discharge collar for easy attachment to 4" diameter duct.
- Mounts with adjustable hanger bars (included).
- Top and side electrical knockouts for easy access.
- Large removable wiring compartment.

Blower

- Built-in backdraft damper.
- Removable blower with easy slide-in mounting.
- Resiliently mounted PSC motor for quiet and energy efficient operation.
- Plug in motor rated for 120 volts 60 Hz operation.

Light

- Bright, 100-watt incandescent bulb (not included).

Other

- This product is approved for use over tub/shower enclosures when installed in a GFI protected branch circuit.
- Permanently lubricated ball bearing, PSC motor.
- Dual inlet, forward curved blower wheel.
- Built in backdraft damper.
- Meets the requirements of the Northwest Energy Code for low energy consumption.

Performance

- Air Delivery - 86cfm @ .1" w.g. s.p.
- Sound Level - 1.3 sones
- Volts - 120
- Hertz - 60
- Amps - 0.35
- Watts - 31 (fan only)
- Duct - 4" round
- Lamp - 100-watt maximum A-19

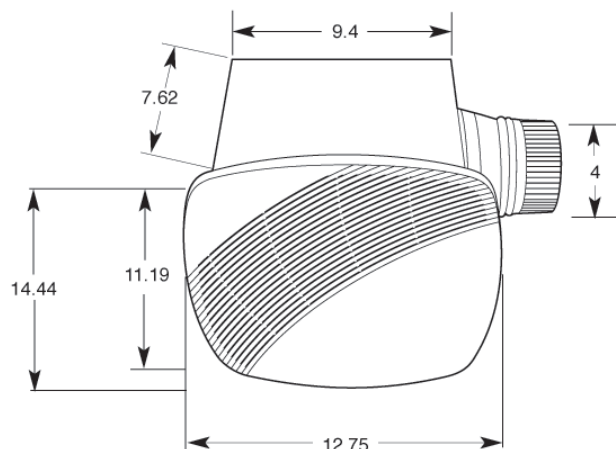
The Home Ventilating Institute has tested and certified the airflow performance (CFM) and sound levels (sones) of this product.

General

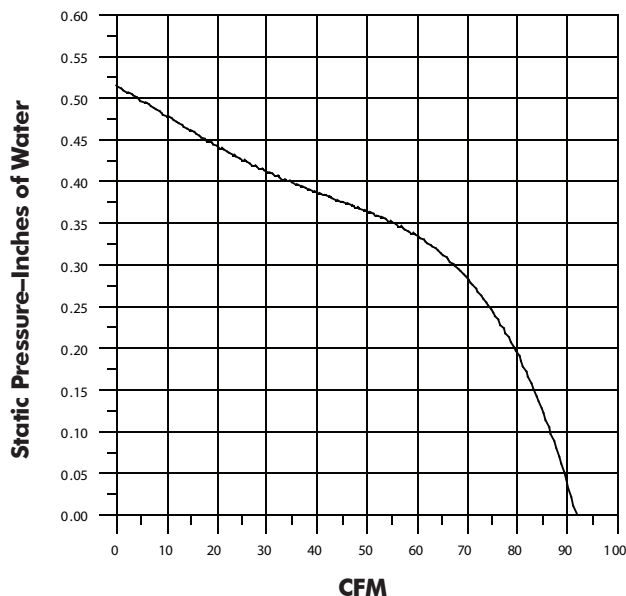
This product has been evaluated by Underwriters Laboratories and conforms to both UL and CSA safety standards.

Specifications

NuVent ventilator model NXSH80L. The ventilator shall be constructed with a galvanized steel housing including adjustable hanger bar mounting and 4" diameter discharge collar. The blower unit shall be removable with a permanently lubricated, ball bearing, plug-in motor. Air delivery and sound levels shall be certified by HVI at the levels listed for this model. All units shall be UL listed.



NuVent Product Performance
Model NXSH80L



SPECIFICATION			PROJECT:
Reference	Quantity	Comments	Location:
			Architect:
			Engineer:
			Contractor:
			Submitted by:
			Date: