



Young Regulator Co.

7100 Krick Rd • Walton Hills, OH 44146

P: 440-232-9700 • F: 440-232-8266

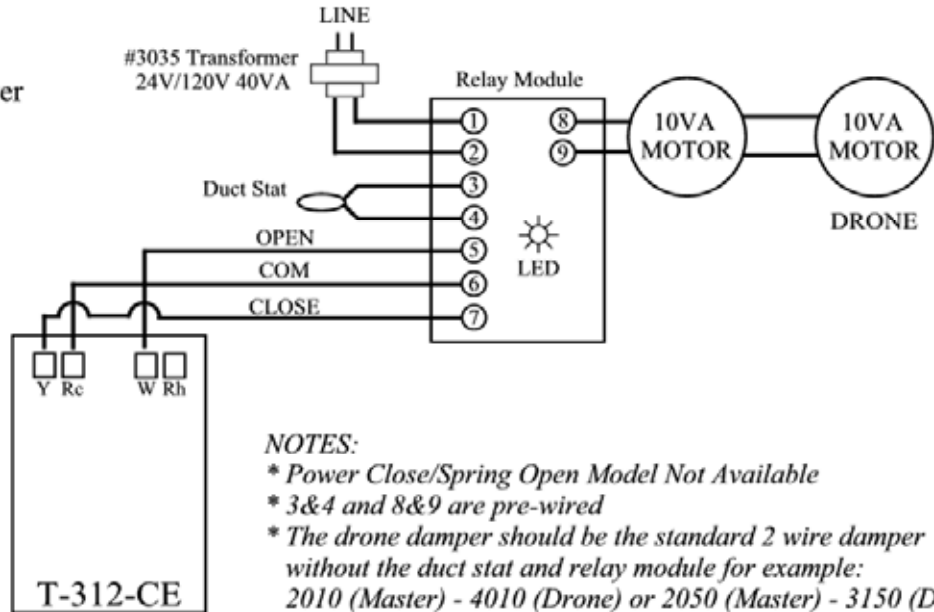
www.youngregulator.com

Submit Wiring Schematics – 1-10

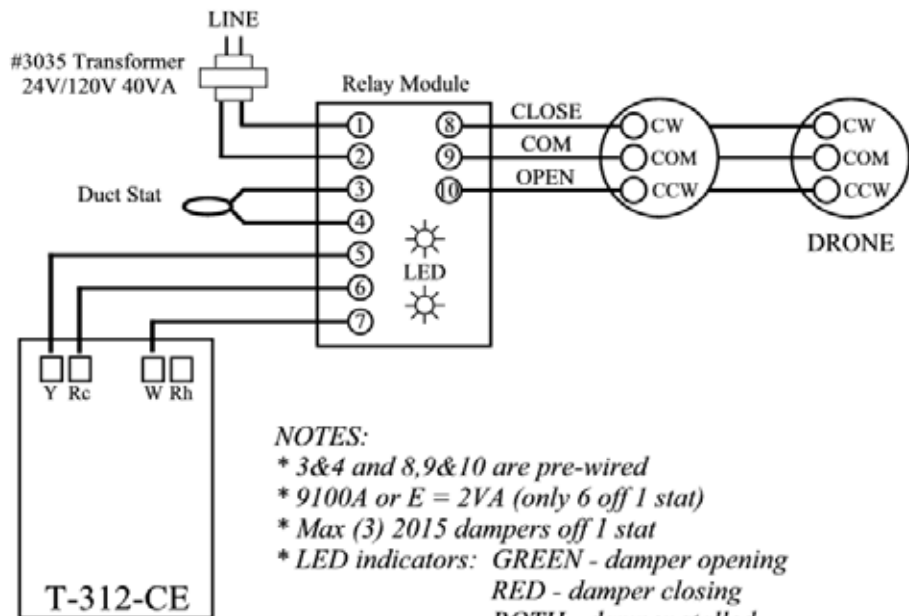
Wiring Schematics

All Dampers and Thermostats

STAT: T-312-CE
 MODE: Auto Changeover
 (2 position)
 MOTOR: Power Open
 MODEL: 2010 P.O.
 2050 P.O.



STAT: T-312-CE
 MODE: Auto Changeover
 MOTOR: Modulating VAV
 MODEL: 2015
 2045
 2075
 2085
 2165
 9100AC



GENERAL NOTES for AUTO CHANGEOVER DAMPERS:

- * Thermostat and transformer are separate and wired in the field
- * In order for the change over sensor to operate correctly, minimum air must flow over the sensor