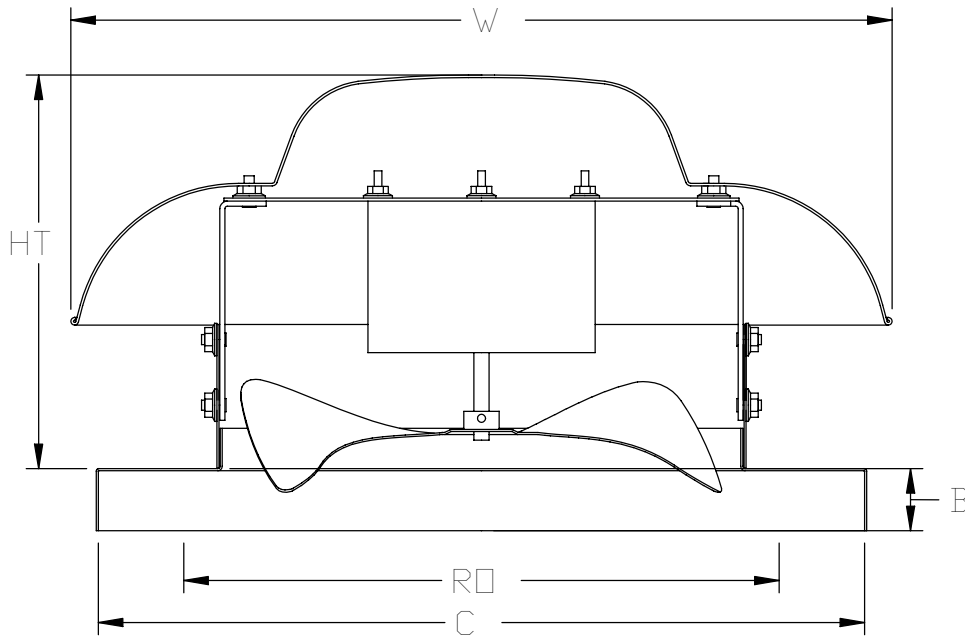


**RMD SERIES AXIAL EXHAUST FANS**

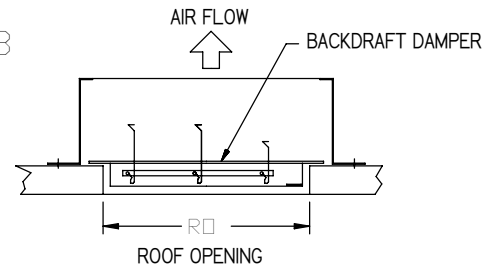
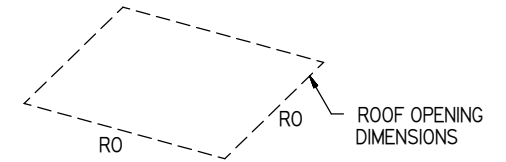
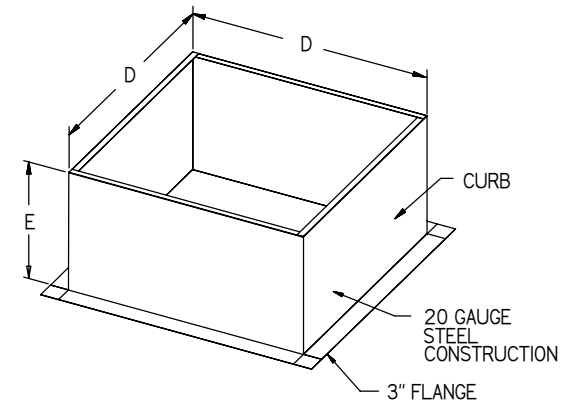


**FEATURES:**

- ROOF MOUNTED FANS
- UL705
- AMCA AIR CERTIFIED
- THERMAL OVERLOAD PROTECTION
- STANDARD BIRD SCREEN
- SAFETY DISCONNECT

**OPTIONS:**

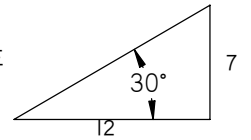
- HINGED FAN
- PITCHED CURB
- INSULATED CURB
- BACKDRAFT DAMPER



PITCHED CURBS ARE AVAILABLE FOR PITCHED ROOFS.

SPECIFY PITCH:

EXAMPLE FORMAT: 7 / 12 PITCH = 30' SLOPE



RMD DIRECT DRIVE  
AXIAL AXIAL EXHAUST FANS DIMENSIONAL DATA

FAN MODEL	HT	W	B	C	RO	WEIGHT LB
RMD-10	9 3/4	18 5/16	2	19	13	24
RMD-12	10 1/4	20 5/16	2	19	13	32
RMD-14	12 5/8	27 5/16	2	21	16	45
RMD-18	14 3/8	33 9/16	2	26	20	67

CURB DIMENSIONAL DATA

FAN MODEL	D	E
RMD-10	17 1/2	12
RMD-12	17 1/2	12
RMD-14	19 1/2	12
RMD-18	24 1/2	12

**BACKDRAFT DAMPER INSTALLATION**

DIMENSIONS SUBJECT TO CHANGE WITHOUT NOTICE.  
DRAWING NOT TO BE USED FOR CONSTRUCTION.

 <b>Better Airflow By Design</b>			
			<b>AXIAL ROOF EXHAUST FAN</b>
01	02 FEB. 2012	JEE	<b>RMD SERIES DIRECT DRIVE SUBMITTAL</b>
REV	DATE	BY	J. E. EVANS   13 MAR. 2008   RMD GENERAL SUBMITTAL.dft