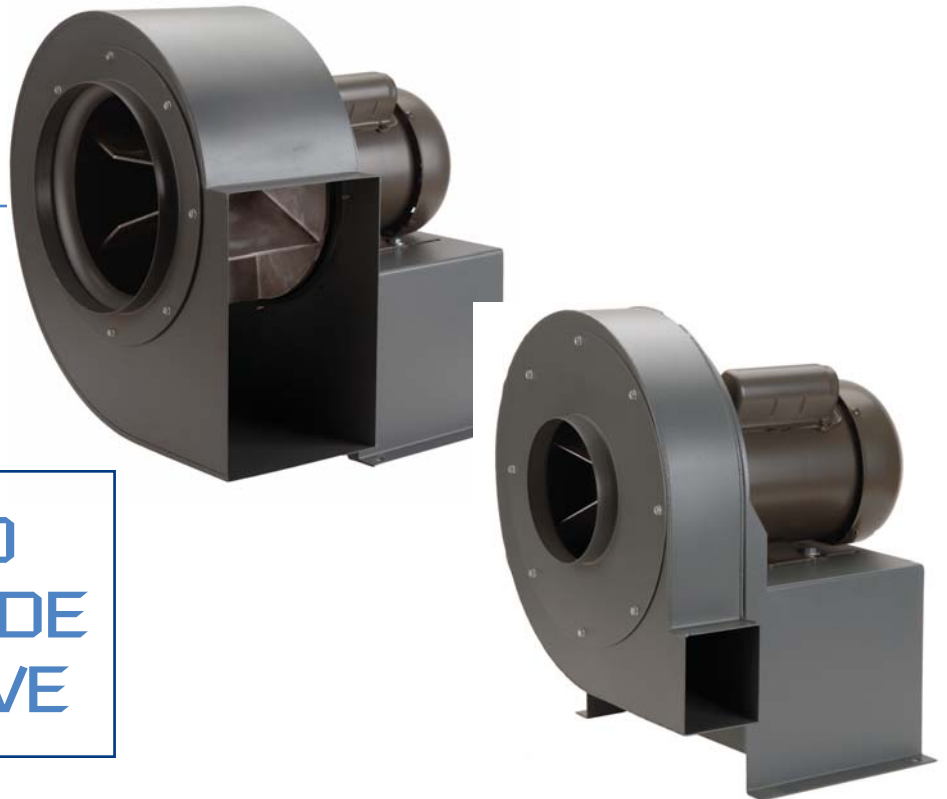




CENTRIFUGAL FANS

*better AIRFLOW
by DESIGN™*



**KRD & PRO
RADIAL BLADE
DIRECT DRIVE**

- Radial blade, self-cleaning wheels
- Baked enamel finish
- Single or three phase TEFC motors
- Available with or without motor
- Dynamically balanced cast aluminum wheel
- Compact design, rugged construction
- CW rotation, bottom horizontal discharge
- Welded 16-gauge steel housing and motor base

KRD RADIAL BLADE BLOWERS

FEATURES & BENEFITS

- Welded 16-gauge steel housing and motor base
- Dynamically balanced cast aluminum wheels
- Self cleaning wheel designed for efficient operation
- Baked enamel finish
- Single or three phase TEFC motors; also available without motor
- Explosion proof motors available - consult factory
- Standard CW bottom horizontal discharge; rotatable to 8 positions
- Field adjustable rotation and discharge
- Capacities to 3,420 cfm



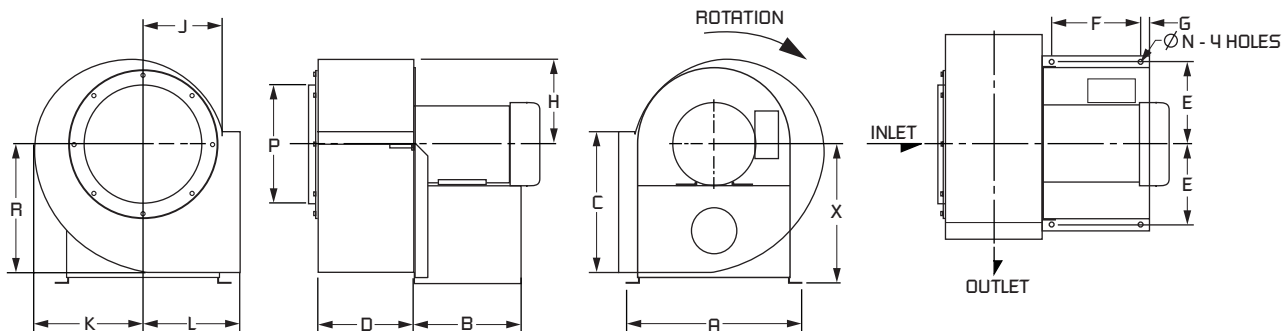
APPLICATIONS

- Small kitchen hoods where grease filters may or may not be installed
- Suitable for air containing dirt, lint or foreign material, as wheel is self cleaning

ACCESSORIES / OPTIONS

- Weather proof motor cover
- Inlet and discharge screen
- Discharge dampers
- Custom coatings
- Inlet and discharge flanges
- Factory mounted motors
- Spark resistant construction

MODEL	MTR. HP	dBA @ 5'	1750 RPM PERFORMANCE												
			0" S.P.	1/8" S.P.	1/4" S.P.	3/8" S.P.	1/2" S.P.	5/8" S.P.	3/4" S.P.	1" S.P.	1-1/4" S.P.	1-1/2" S.P.	1-3/4" S.P.	2" S.P.	2-1/4" S.P.
KRD08	1/3	64	550	510	470	425	365	275	150	-	-	-	-	-	-
KRD09	1/3	69	880	825	765	705	635	565	480	200	-	-	-	-	-
KRD11	1/2	75	1430	1380	1335	1275	1165	1100	945	730	430	-	-	-	-
KRD12	1	79	2375	2300	2220	2140	2060	1975	1890	1700	1485	1185	750	350	-
KRD14	2	81	3420	3325	3230	3125	3025	2925	2820	2595	2350	2045	1620	1010	640



MODEL	WHEEL SIZE	BORE SIZE	MOTOR FRAME	DIMENSIONS IN INCHES*														WEIGHT LESS MOTOR	
				A	B	C	D	E	F	G	H	J	K	L	N	P	R		X
KRD08	7 3/4 x 4	5/8	56	11.0	8.0	8.3	5.4	5.0	7.0	0.5	6.0	4.6	6.8	6.9	0.4	8.0	8.0	8.5	35 lbs
KRD09	9 x 5	5/8	56	12.1	8.0	10.8	6.5	5.6	7.0	0.5	6.8	5.6	7.8	7.1	0.4	9.0	9.3	9.4	45 lbs
KRD11	10 7/8 x 5 5/8	5/8	56	14.8	9.0	11.8	8.0	6.9	7.5	0.8	8.0	6.8	9.1	8.1	0.4	10.0	10.8	11.8	65 lbs
KRD12	12 1/2 x 7 1/2	5/8	56	16.4	10.5	13.3	9.6	7.4	8.8	0.9	10.1	8.5	11.5	10.5	0.6	13.3	13.3	17.0	95 lbs
KRD14	13 1/2 x 8 1/8	7/8	145T	17.6	10.5	14.6	10.8	8.0	8.8	0.9	11.1	9.4	12.6	11.4	0.6	14.5	14.6	17.0	120 lbs

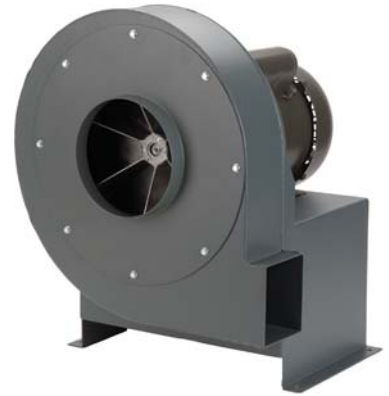
*DO NOT USE FOR CONSTRUCTION

CONSULT FACTORY FOR CERTIFIED PRINTS

PRD RADIAL PRESSURE BLOWERS

FEATURES & BENEFITS

- Welded 16-gauge steel housing and motor base
- Dynamically balanced cast aluminum wheel
- Self cleaning wheel designed for efficient operation
- Baked enamel finish
- Single or three phase TEFC motors; also available without motor
- Explosion proof motors available - consult factory
- Standard CW bottom horizontal discharge; rotatable to 8 positions
- Field adjustable rotation and discharge
- Capacities to 2,100 cfm



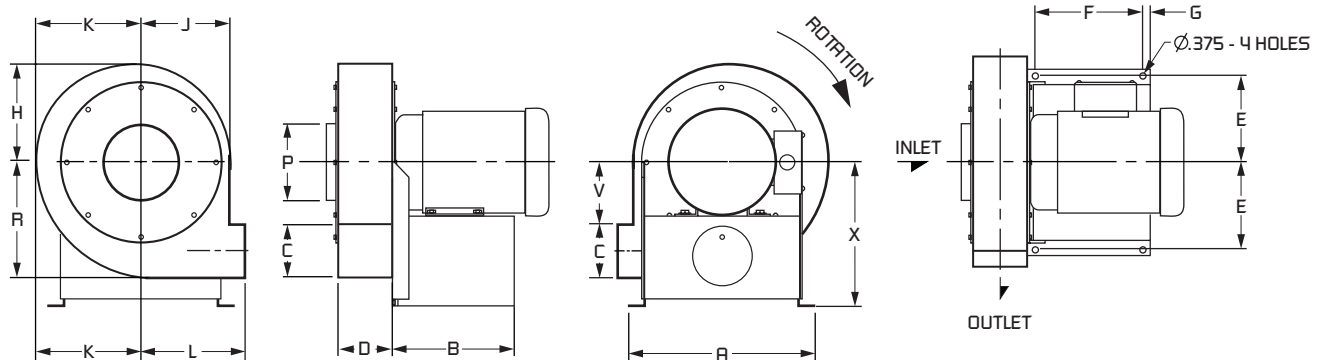
APPLICATIONS

- Small exhaust systems where air is laden with dust or grit
- Supplying high pressure air for conveying and cooling

ACCESSORIES / OPTIONS

- Weather proof motor cover
- Custom coatings
- Factory mounted motors
- Inlet and discharge screen
- Inlet and discharge flanges
- Spark resistant construction

MODEL	MTR. HP	dBA @ 5'	3500 RPM PERFORMANCE																
			0.25" S.P.	0.50" S.P.	1.00" S.P.	1.50" S.P.	2.00" S.P.	2.50" S.P.	3.00" S.P.	3.50" S.P.	4.00" S.P.	5.00" S.P.	6.00" S.P.	7.00" S.P.	8.00" S.P.	9.00" S.P.	10" S.P.	11" S.P.	12" S.P.
PRD08	1/3	74	283	274	256	237	216	192	165	129	70	-	-	-	-	-	-	-	-
PRD09	1/3	77	475	465	445	423	399	374	346	316	282	195	-	-	-	-	-	-	-
PRD11	1	84	786	772	746	719	692	664	635	606	575	508	431	329	-	-	-	-	-
PRD12	3	90	1185	1171	1145	1117	1090	1062	1033	1004	974	911	842	765	672	549	-	-	-
PRD14	5	92	2100	2079	2037	1995	1952	1909	1866	1822	1777	1685	1587	1482	1367	1236	1081	874	474



MODEL	DIMENSIONS IN INCHES*																		WEIGHT LESS MOTOR
	WHEEL SIZE	BORE SIZE	MOTOR FRAME	A	B	C	D	E	F	G	H	J	K	L	P	R	V	X	
PRD08	7 3/4 x 2 1/4	5/8	56	11.0	8.0	3.0	3.0	5.0	7.0	0.5	5.4	4.9	5.9	5.9	4.0	6.6	3.6	8.5	35 lbs
PRD09	9 x 2 3/4	5/8	56	12.1	8.0	3.5	3.5	5.6	7.0	0.5	6.4	5.8	6.9	6.8	5.0	7.5	4.0	9.4	40 lbs
PRD11	10 5/8 x 3	5/8	56	14.8	9.0	4.0	3.5	6.9	7.5	0.8	7.3	6.5	8.0	7.6	6.0	8.6	4.6	11.8	55 lbs
PRD12	12 1/2 x 3	1 1/8	182T	17.0	8.0	5.0	4.0	8.0	6.5	0.8	8.3	7.5	9.0	9.6	7.0	10.0	5.0	10.6	85 lbs
PRD14	13 1/2 x 4 3/8	1 1/8	184T	17.6	11.3	7.1	5.8	8.0	9.6	1.0	10.5	9.6	11.4	11.0	8.0	11.5	4.4	12.6	140 lbs

*DO NOT USE FOR CONSTRUCTION

CONSULT FACTORY FOR CERTIFIED PRINTS

Industrial Fan Division

Continental Fan's Industrial Fan Division offers a superbly crafted collection of industrial and OEM ventilation products, uniquely marketed through a network of manufacturers representatives across North America.



Panel Fans



Centrifugal Fans



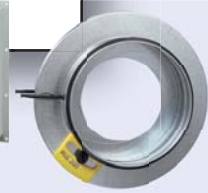
Flange Fans



In-line Fans



Mixed Flow Fans



Iris Dampers

OEM Fan Division

Continental Fan's sales team provides customer focused solutions for original equipment manufacturers by working closely with them during the design process to find the best product solutions for their applications.



Cabinet Cooling Fans



Motorized Axials



Motorized Impellers



Centrifugal Fans



Axial Impellers



Centrifugal Impellers

Wholesale Products Division

Our Wholesale Products Division offers a superior line of commercial and residential ventilation products and air purification systems, available through a wide network of wholesalers and distributors throughout North America.



Bathroom Lighting and Ventilation



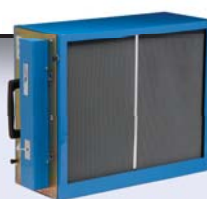
Portable Air Purification



In-Line Duct Fans



External Mount Fans



Whole House Air Purification



Backdraft Dampers

USA

www.continentalfan.com

Continental Fan Manufacturing Inc.
203 Eggert Road, Buffalo, NY 14215
Tel: (716) 842 0670 Fax: (716) 842 0611

Canada

www.aeroflo.com

Aeroflo Inc.
12-205 Matheson Blvd. E., Mississauga, ON L4Z 3E3
Tel: (905) 890 6192 Fax: (905) 890 6193

KRD & PRD RADIAL BLADE DIRECT DRIVE

