



[Home](#)
 [Kitchen and Bathroom Fans](#)
 [Commercial fans](#)
 [Air Distribution Products](#)
 [PDF Catalogs](#)
 [About Us](#)
 [Contact Us](#)
 [CORPORATE BLOG](#)

[Plastic gravity grilles](#)

[Vent plastic caps](#)

[Plastic grilles](#)

[Plastic round grilles](#)

[Ceiling grill](#)

[Metal vent grilles](#)

[Ceiling diffusers](#)

[Plastic air disc valves](#)

[Metal air disc valves](#)

[Swirl diffusers](#)

[Metal door grilles](#)

[Plastic door grilles](#)

Plastic access doors

D

D2

DD

[Metal access doors](#)

[Ventilation kits](#)

[Wall vent](#)

[Window vent](#)

[Plastic ducting elements](#)

[Flexible ducts](#)

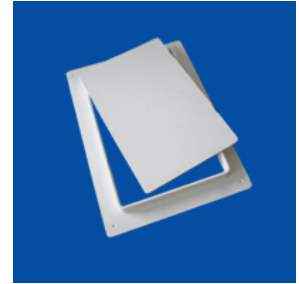
Vents-US / Air Distribution Products / Plastic access doors / DD

DD

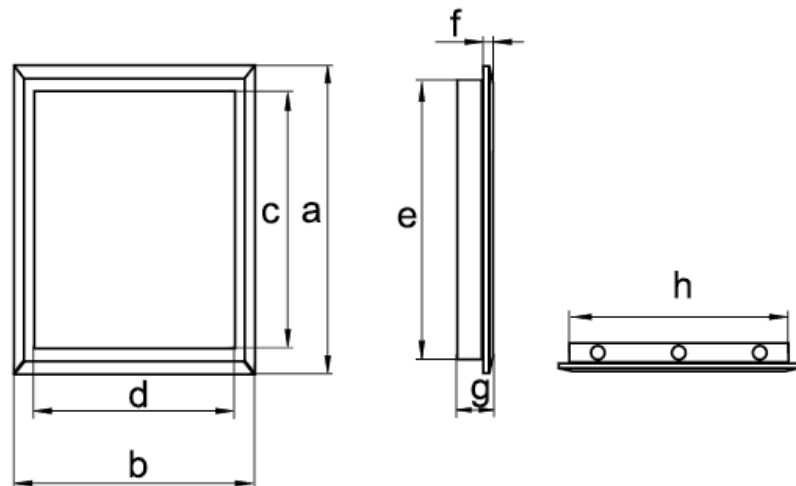
Plastic access door of DD series are characterized by two variants of fastening and two ways of mounting.

You can mount the access door in the wall in standard way or you can mount it under gypsum plasterboard, fixing it contrariwise. Due to rough surface, the homeowners can paint it in any color they wish.

The DD plastic door is suitable for all surfaces and can be installed easily by applying glue or caulking adhesive to the back of the frame and pressing into place.



Specification



Model	a	b	c	d	e	f	g	h
DD 200x300	13 ^{1/4} "	9 ^{5/16} "	11 ^{7/16} "	7 ^{7/16} "	11 ^{11/16} "	1/8"	13/16"	7 ^{3/4} "

Copyright © 2010 Ventilation System. All rights reserved.

11013 Kenwood Rd, Cincinnati, Ohio 45242. Tel: 1-513-348-3853