



[Home](#)
 [Kitchen and Bathroom Fans](#)
 [Commercial fans](#)
 [Air Distribution Products](#)
 [PDF Catalogs](#)
 [About Us](#)
 [Contact Us](#)
 [CORPORATE BLOG](#)

Vitro L

Z star

B 4

B 3

LD

X

X Star

R

VKO 1

VKO

S

M

M 3

MA

K

K 1

PF

D

MAO 1

MAO 2

CF

VN

Modern

Vents-US / Kitchen and Bathroom Fans / M

M

Axial extract M fans - classical and elegant models for your kitchen, bathroom or toilet.

The fans can be mounted both on the ceiling and to the wall, and are compatible with the 4", 5" and 6" ducts.

No additional mounting boxes or special niches are needed, just connect the fan to the air duct and fasten it with the screws.

The fans can be connected to the supply through a switch, cord or dimmer.

Caution: the fans must not be placed in the shower cabin or in the area where water splashes can spread.

Features of M fans:

- Made of high quality ABS plastic
- 7-blades silent impeller
- Suitable for operation in ambient temperatures from 40°F to +100°F
- Compatible with 4", 5" and 6" ducts
- Air flow from 46 up to 140 CFM
- Color options: white
- Integrated component design allows all parts to be dismantled for cleaning without the use of specialist tools
- Supply voltage 120V/1/60 Hz.
- 5 years warranty

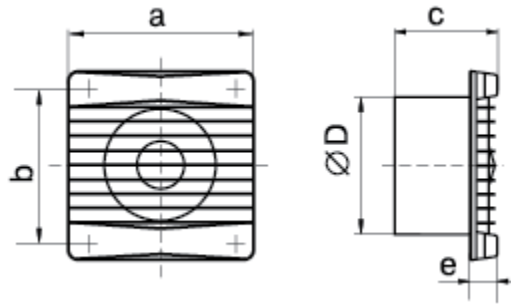
Modification options:

- Timer (MT)
- Timer and humidity sensor (MTH)
- Pull cord switch (MV)
- Timer and pull cord switch (MVT)
- Timer, humidity sensor and pull cord switch (MVTH)
- Timer and infrared sensor (MTP)



- Ball bearing motor M...L
- Back valve M...K

Specification



Model	a	b	c	D	e
100 M	6 ^{1/4} "	5 ^{5/16} "	3 ^{1/2} "	3 ^{15/16} "	15/16"
125 M	7 ^{1/16} "	5 ^{7/8} "	3 ^{11/16} "	4 ^{15/16} "	1"
150 M	8 ^{1/8} "	7 ^{3/16} "	4 ^{3/16} "	5 ^{7/8} "	1"

Model	RPM	Sones	Duct Diam.	Max Watts	Max Amps	CFM	Volts
100 M	2865	1,83	4"	13,56	0,17	46	115
125 M	2235	2,62	5"	16,8	0,20	94	115
150 M	2335	2,29	6"	33,38	0,41	140	115

Diagrams of Pressure loss

