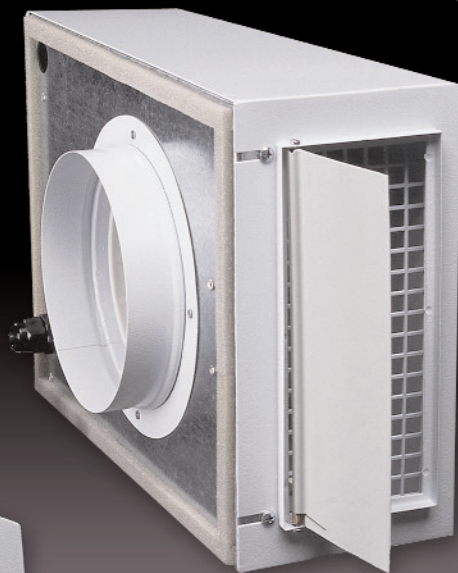




*Get Serious...*



*About EXT External Mount Fans*

## EXT EXTERNAL MOUNT FANS

Continental Fan's EXT External Mount Fans are the perfect solution when space restrictions prevent the use of in-line duct fans. EXT fans provide a simple through-the-wall solution, and can be sidewall mounted on the exterior of the home to allow for easy access to the fan. EXT fans utilize quiet, long lasting and energy efficient external rotor motors.

### PERFECT FOR

- Ground floor installations
- Tight attic mountings
- High rise buildings
- Apartments/townhouses
- Basement kitchens, washrooms

### TYPICAL INSTALLATIONS

- Bathroom Exhaust
- Range Hood Exhaust
- Whole House Ventilation
- Crawl Space Ventilation, and many more ...

### FEATURES & BENEFITS

- Super-quiet, PSC external rotor motors
- Enclosed motor housing for dust & lint
- Permanently lubricated ball bearing motors
- Maintenance-free motor
- Quiet & efficient
- Rugged construction for long life
- 100% speed controllable
- Built-in backdraft damper
- Five (5) year factory warranty
- cCSA<sub>us</sub> listed for use in USA and Canada



EXT Fans come in 3 standard duct sizes: 4 inch, 6 inch, and 8 inch (not shown).



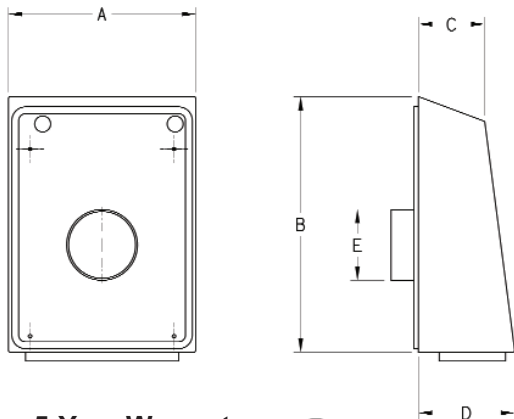
Dual Bathroom Exhaust



Range Hood Exhaust

## PERFORMANCE DATA

MODEL NO.	WATTS	RPM	dBA	CUBIC FEET PER MINUTE										
				0°SP	1/8°SP	1/4°SP	3/8°SP	1/2°SP	3/4°SP	1°SP	1 1/4°SP	1 1/2°SP	2°SP	3°SP
EXT100A	66	1560	49.2	118	101	84	72	62	44	28	16			
EXT100B	81	2260	59.4	177	163	150	140	125	100	72	47	26		
EXT150A	90	2436	60.2	227	202	186	174	162	130	85	21			
EXT150B	140	2830	64.6	396	373	350	326	311	268	232	190	149	66	
EXT200A	140	2820	66.8	445	393	358	328	300	254	212	170	119		



5-Year Warranty



## DIMENSIONAL DATA

MODEL NO.	A (in.)	B (in.)	C (in.)	D (in.)	E (in.)	WEIGHT (lbs)
EXT100A	10.2	14.0	3.6	5.2	3.8	11
EXT100B	10.2	14.0	3.6	5.2	3.8	11
EXT150A	10.2	14.0	3.6	5.2	5.8	11
EXT150B	14.2	17.3	3.6	5.2	5.8	17
EXT200A	14.2	17.3	3.6	5.2	7.8	17



Continental Fan Manufacturing Inc.  
203 Eggert Road, Buffalo, NY 14215  
Tel: 716-842-0670 Toll: 800-779-4021  
Fax: 716-842-0611  
www.continentalfan.com  
email: cfm@continentalfan.com



Aeroflo Inc.  
12-205 Matheson Blvd. East  
Mississauga, Ontario, Canada L4Z 3E3  
Tel.: 905-890-6192 Toll: 800-779-4021  
Fax: 905-890-6193  
www.aeroflo.com email: aeroflo@aeroflo.com

Distributed By: