

Programmable Digital Thermostat - T202 series Single/Multiple Fan Speed

Description:

The T202 series is designed for single or multi-speed fan selection. The case design is attractive and is suited for most decors. It will handle multiple input voltage ranges from 24 VAC to line voltage. It is easy to use and program. The 2 or 3 speed fan selection allows for greater comfort and efficient system operation.

Applications:

Fan Coil systems, PTAC equipment, Split systems. Gas/Oil or Central Electric selection. Air or Hydronic systems. Heat or Cool, Heat/Off/Cool, Heat/Auto/Cool models.

Features:

Large LCD Display - this series of thermostats' has a display that is larger than most models. The numbers can be read from 8ft distances.

System Identification - heat & cool icons will display when system has been selected. Icon will flash when system is activated.

Room Temperature - is continuously displayed

Set Point Offset: allows the setting to be offset from -6°F to +6°F

Set Point Selection - is continuously displayed

Time of Day - is continuously displayed

Backlight - is on demand or continuous (selectable)

Dead Band - spread is based upon the heat and cool settings. Minimum dead band is 2°F.

System selection - (depending on model) Heat/Off/Cool; Heat/Off/Cool/Auto

Fan Speed Selection - (depending on model) single, 2 or 3 speed.

Pre-programmed Features;

Events - 4 per day

Programming - 5-1-1 or 7 day (individual)

Manual - Hold position



General Specifications:

Range: 40°F to 90°F

Accuracy: ± 1°F

Differential: Adjustable 1.0 or 2.0°F

Time Delay: HP mode 3 Min. (off cycle) Heat/Cool
SHC mode Heat none, Cool 3 minute

Load rating: 2 amps Heat/Cool
5 amps Fan Circuits

Case: Hi-impact plastic, white

Wiring: Terminal strip screw type

System selection: Slide switch

System switch function: Heat/Off/Cool
Heat/Off/Cool/Auto

Fan Operation: HP mode activates in heat/cool
SHC mode no fan in heat, activates in cool

Fan Speed selection: Slide switch

Temperature/Programming: Push Button

Temperature offset: Adj. -6°F to +6°, 1° increments

Back Light - Demand

Input Voltage: 24 VAC/120 to 277 VAC

Model No.	System	Fan Function
T202-G5B61	Heat/Off/Cool	Auto/On 1 speed
T202-G5B62	Heat/Off/Cool	Auto/On 2 speed
T202-G5B63	Heat/Off/Cool	Auto/on 3 speed
T202-G5C63	Heat/Off/Cool/Auto	Auto/on 3 speed

Meets CA code Title 24



Controlled Air

Controlled
Air Systems

I
n
c

PO Box 347
Bedminster, PA 18910
Ph. 215-795-2225 Fax 215-795-2223

Wiring

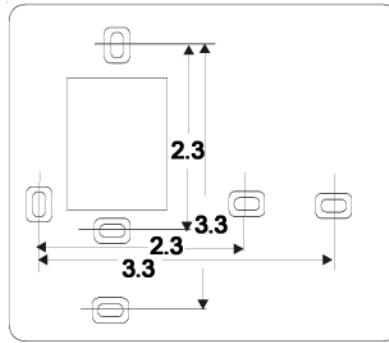
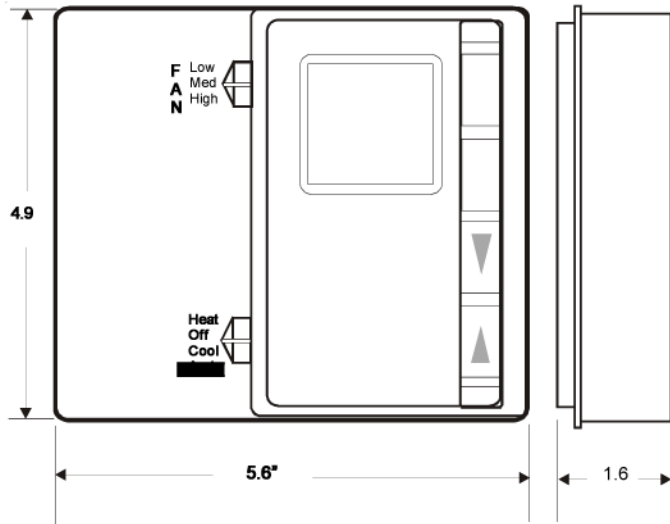
Screw Terminal Strip

1 Heat / 1 Cool

- 1 - Input (L1)
- 2 - Common (Neutral)
- 3 - Heat 1 stage
- 4 - Cool 1 stage
- 5 - Lo fan
- 6 - Med fan
- 7 - Hi fan
- 8 - Rev. Valve heat (damper)
- 9 - Rev. Valve cool (damper)

Heat Pump 1 stage Heat / 1 stage Cool

- 1- Input (L1)
- 2 -Common
- 3 - Heat ┌───┐ Compressor
- 4 - Cool └───┘ add Jumper
- 5 - Lo fan
- 6 - Med fan
- 7 - Hi fan
- 8 - Rev. Valve heat
- 9 - Rev. Valve cool



Engineering Specification

The thermostat shall be digital electronics with non-volatile memory. No Batteries shall be required. Temperature setting shall be with push button. Actual room temperature, set point, time of day, system icon shall be displayed at all times. No flashing between icon displays. The thermostat shall be module in that the main housing shall be mounted onto the wall and then wired. Multiple input voltage (24 VAC / 120 to 277 VAC. Set point shall capabilities of being offset from -6°F to +6°. The display module shall be plug-in. Display shall be large easy to read from minimum of 8 feet. Case color shall be white. Mounting shall be disgned for 2 x 4 junction box.

Controlled Air Systems

I
n
c
PO Box 347
Bedminster, PA 18910
Ph. 215-795-2225 Fax 215-795-2223

Date: _____

Engineer: _____

Job Name: _____

Location _____

Submitted By: _____

Contractor: _____